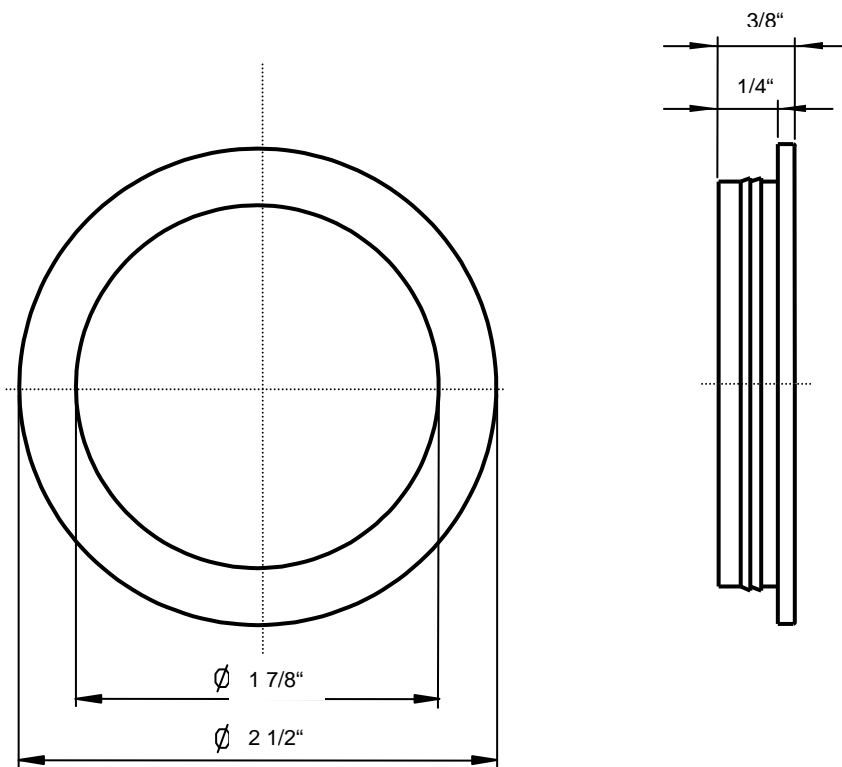


Sliding door handle EZ1704(Q) without hole : EPDQ 0S 71
Dimension 1:1 in mm



Karcher GmbH
Design - Beschläge
Raiffeisenstraße 32
74906 Bad Rappenau
Telefon 07264/9164-0
Telefax 07264/9164-40
Mail@Karcher-Design.de



Please do not change the scale and do not use the zoom in the printer options by printing. Please do not fit the print to the paper size but print in the original size. After printing, please check the dimensions showed beside ($1 \frac{3}{16}''$ and $1 \frac{15}{16}''$). If they are not correct you can not use this as a template.

1 $\frac{3}{16}''$
1 $\frac{15}{16}''$

